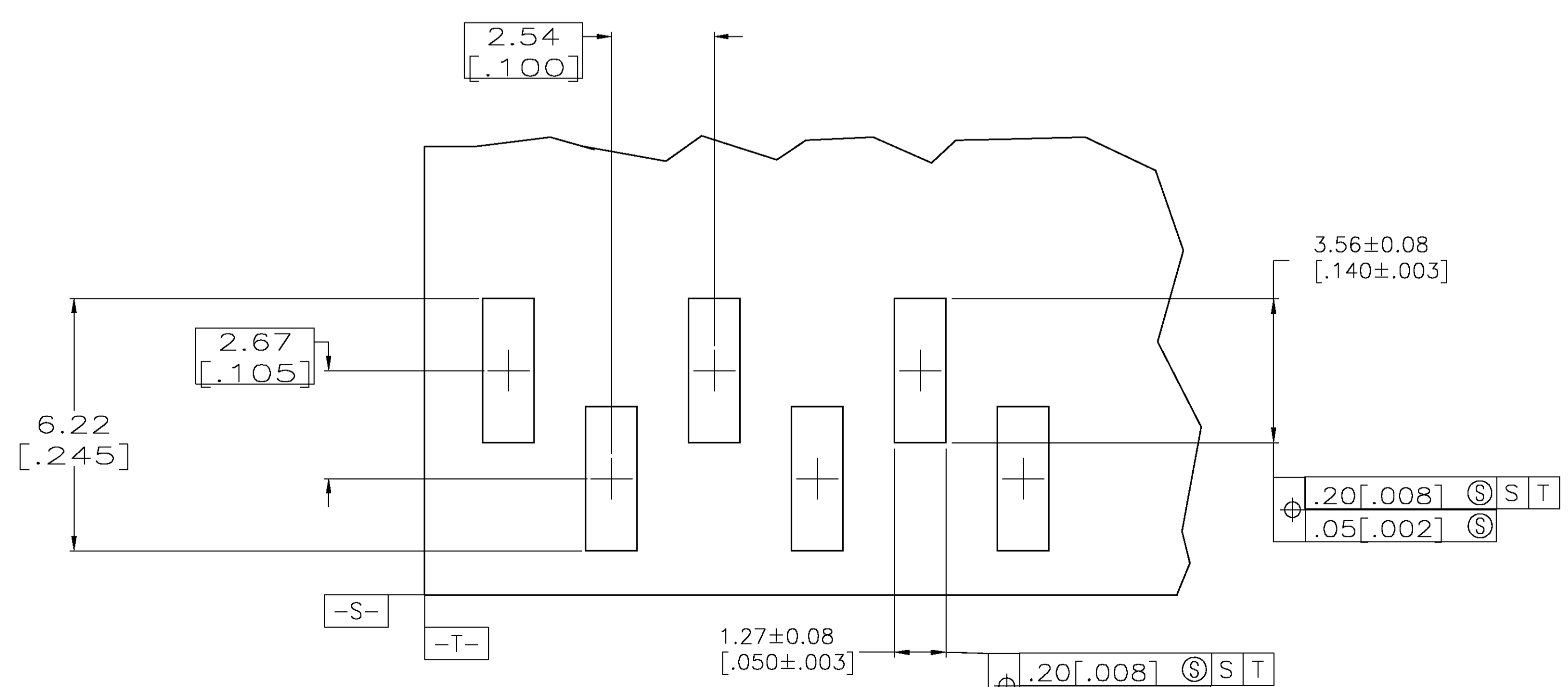
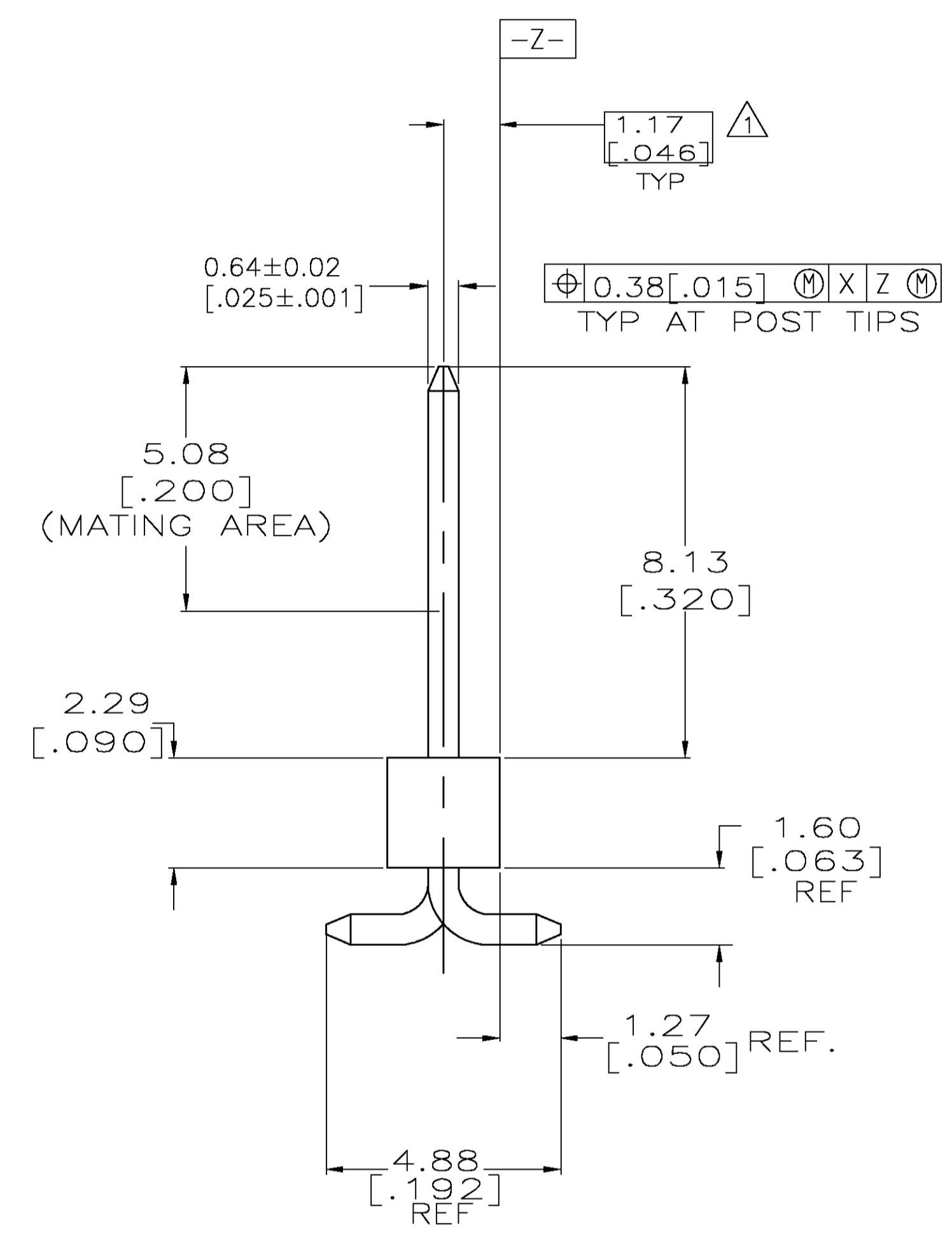
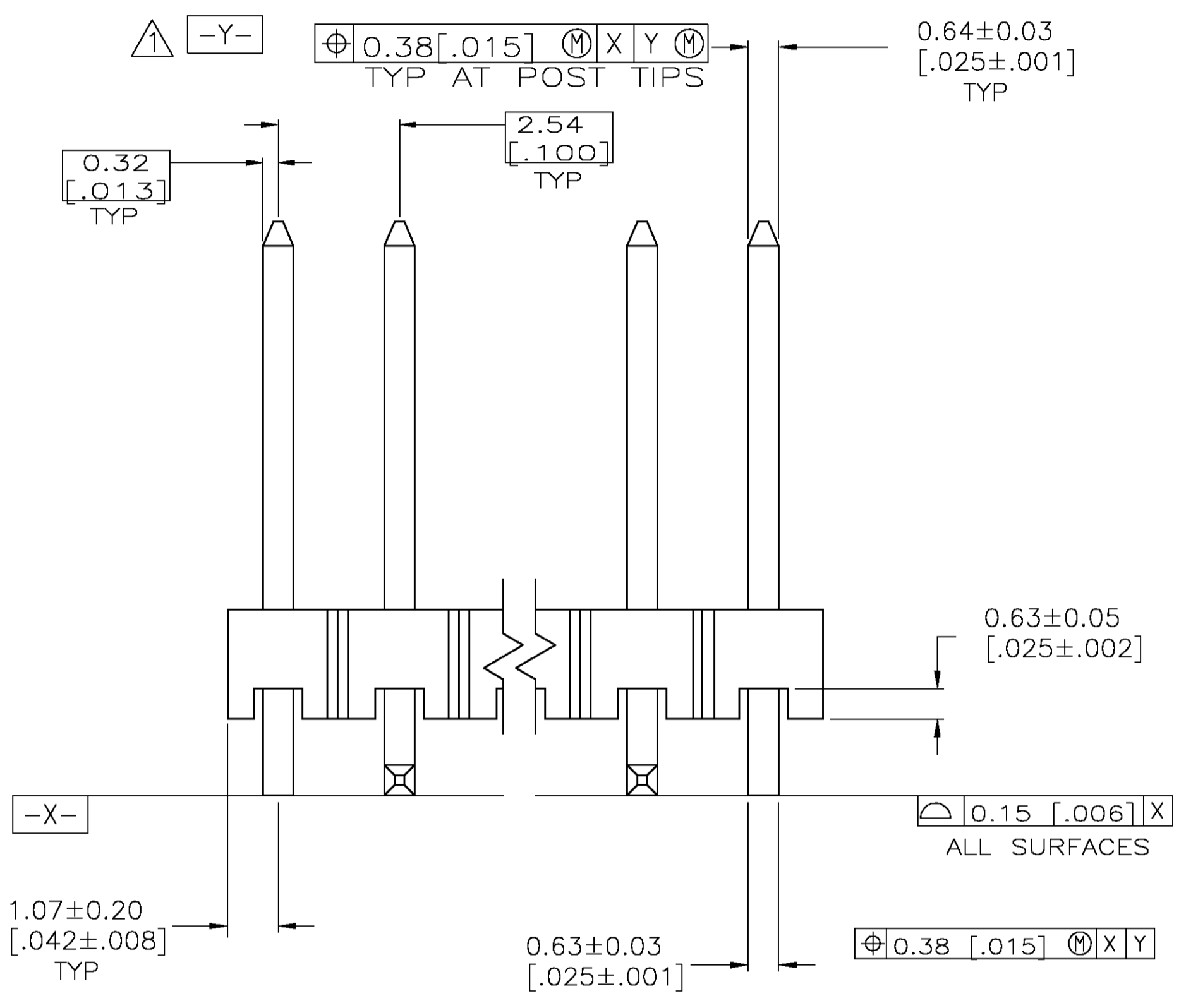


- ① THE NOTED DIMENSIONS APPLY AT THE INTERSECTION OF THE POST AND THE HOUSING.
- ② 0.00254[.000100]-0.00508[.000200] MATTE TIN-LEAD OVER
0.00127[.000050] NICKEL ENTIRE POST.
- ③ HOUSING: LCP, COLOR-BLACK.
POSTS: PHOSPHOR BRONZE.
- ④ 0.00254[.000100]-0.00508[.000200] MATTE TIN OVER
0.00127[.000050] NICKEL ENTIRE POST.
- ⑤ PRELIMINARY PART - NOT RELEASED FOR PRODUCTION.



RECOMMENDED PCB LAYOUT FOR USE WITH .008 THICK STENCIL

④	35.56 [1.400]	14	35.69 [1.484]	15	6-146133-3
④	33.02 [1.300]	13	33.15 [1.384]	14	6-146133-2
④	30.48 [1.200]	12	30.61 [1.284]	13	6-146133-1
④	27.94 [1.100]	11	28.07 [1.184]	12	6-146133-0
④	25.40 [1.000]	10	27.53 [1.084]	11	5-146133-9
④	22.86 [0.900]	9	24.99 [0.984]	10	5-146133-8
④	20.32 [0.800]	8	22.45 [0.884]	9	5-146133-7
④	17.78 [0.700]	7	19.91 [0.784]	8	5-146133-6
④	15.24 [0.600]	6	17.37 [0.684]	7	5-146133-5
④	12.70 [0.500]	5	14.83 [0.584]	6	5-146133-4
④	10.16 [0.400]	4	12.29 [0.484]	5	5-146133-3
④	7.62 [0.300]	3	9.75 [0.384]	4	5-146133-2
④	5.08 [0.200]	2	7.21 [0.284]	3	5-146133-1
⑤	④	④	④	④	④
④	17.78 [0.700]	7	19.91 [0.784]	8	1-146133-5
②	④	④	④	④	④
②	35.56 [1.400]	14	35.69 [1.484]	15	1-146133-3
②	33.02 [1.300]	13	33.15 [1.384]	14	1-146133-2
②	30.48 [1.200]	12	30.61 [1.284]	13	1-146133-1
②	27.94 [1.100]	11	28.07 [1.184]	12	1-146133-0
②	25.40 [1.000]	10	27.53 [1.084]	11	146133-9
②	22.86 [0.900]	9	24.99 [0.984]	10	146133-8
②	20.32 [0.800]	8	22.45 [0.884]	9	146133-7
②	17.78 [0.700]	7	19.91 [0.784]	8	146133-6
②	15.24 [0.600]	6	17.37 [0.684]	7	146133-5
②	12.70 [0.500]	5	14.83 [0.584]	6	146133-4
②	10.16 [0.400]	4	12.29 [0.484]	5	146133-3
②	7.62 [0.300]	3	9.75 [0.384]	4	146133-2
②	5.08 [0.200]	2	7.21 [0.284]	3	146133-1
PLATING	C	B	A	NO OF POSN	PART NUMBER

THIS DRAWING IS A CONTROLLED DOCUMENT.

DIMENSIONS: mm [INCHES]	TOLERANCES UNLESS OTHERWISE SPECIFIED:	DWG J KNAUB 30SEP94	tyco Tyco Electronics Corporation
0 PL ± -	1 PL ± -	CHK G DUBNICZKI 30SEP94	Harrisburg, Pa 17105-3608
2 PL ± -	3 PL ± .127(.005)	APVD G DUBNICZKI 30SEP94	NAME
4 PL ± -	ANGLES ± -	PRODUCT SPEC	SURFACE MOUNT HEADER ASSEMBLY, MOD II, BREAKAWAY, VERTICAL, SINGLE ROW, .100 X.100 C/L, .025 SQ. POST
MATERIAL -	FINISH SEE TABLE	WEIGHT -	SIZE CAGE CODE DRAWING NO RESTRICTED TO
			A1 00779 C=146133
		CUSTOMER DRAWING	SCALE 1:1 SHEET 1 OF 1 REV L